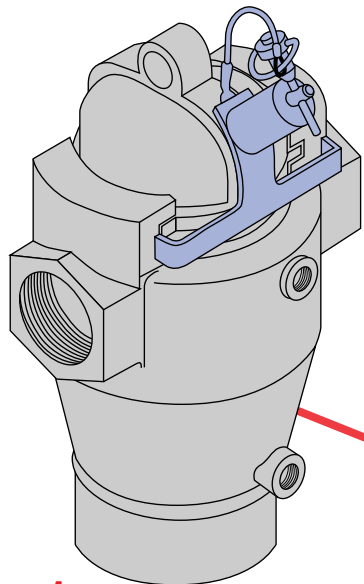
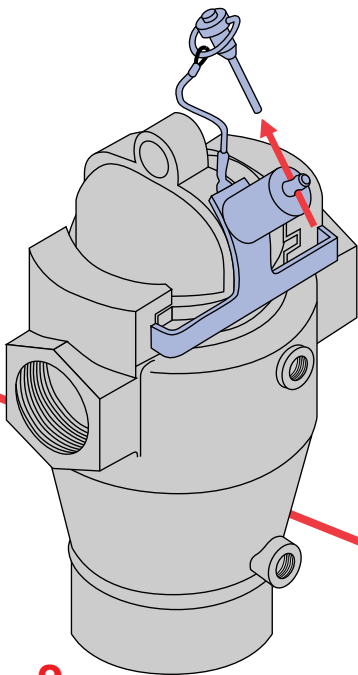


SAFE & QUICK ACCESS FOR ROUTINE SERVICE AND MAINTENANCE



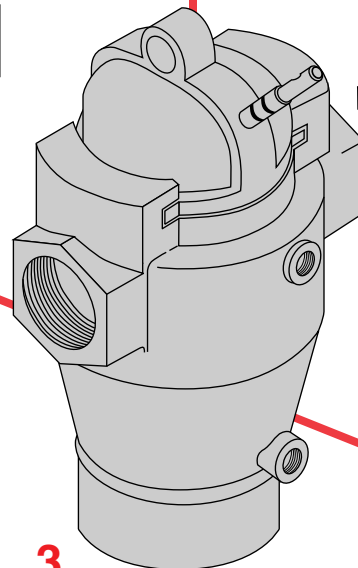
1.

Kadant AES Pressure Filter Caps provide safe pressure release for service and maintenance.



2.

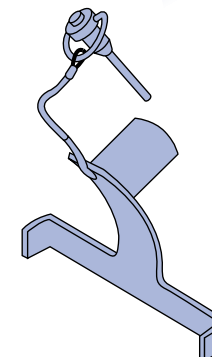
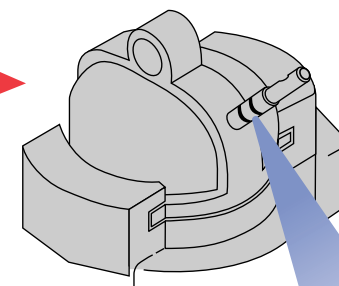
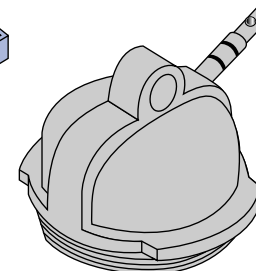
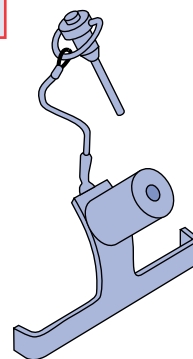
A locking pin and O-ring secure the cap lock assembly to the integral pressure relief stem.



3.

Removal of the cap lock assembly provides visual evidence that pressure has been relieved and quarter-turn cap removal can safely proceed.

4. STOP
If pressure is present,
DO NOT remove cap.



5.

Kadant AES Multiple Barrel Filters allow safe and quick access to interior components.

KĀDANT AES CANADA

Pointe Claire, Quebec, Canada
Tel: 514-695-7110 - Fax: 514-695-4836

KĀDANT UK Ltd.

Bury, Lancashire, England
Tel: 161 7649111 - Fax: 161 7971496

Licensee: **C.B.T.I.**

Valinhos S.P. Brazil
Tel: 1938 710100 - Fax: 1938 710093

KĀDANT AES MEXICO

Guadalajara, Jalisco, Mexico
Tel: 33 38 12 43 55 - Fax: 33 38 12 43 03

KĀDANT LAMORT

Vitry-le-Francois, France
Tel: 32 67 48 080 - Fax: 32 67 20 833

Licensee: **Kobayashi Engineering Works**

Fuji-Shi, Shizuoka-ken, Japan
Tel: 545 61 2405 - Fax: 545 63 4570

KĀDANT

A E S

AN ACCENT ON INNOVATION

KĀDANT AES

Queensbury, New York 12804 USA
Tel: 518-793-8801 - Fax: 518-793-9392