

## Measuring Carbon Seal Ring Wear

**NOTE:** Please follow your company's safety procedures whenever working on Kadant Johnson Rotary Joints and read all of the instructions completely before proceeding.

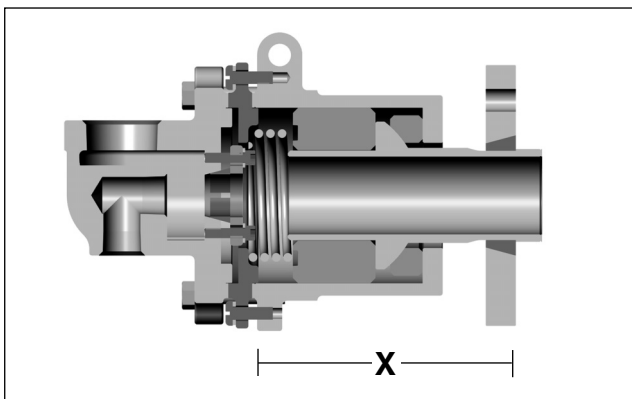
Please refer to the assembly drawings supplied with your Kadant Johnson Rotary Joint for part identification. If you have any further questions, please contact your Representative or Kadant Johnson.

As a preventative maintenance practice you should periodically measure and determine how much seal wear is available.

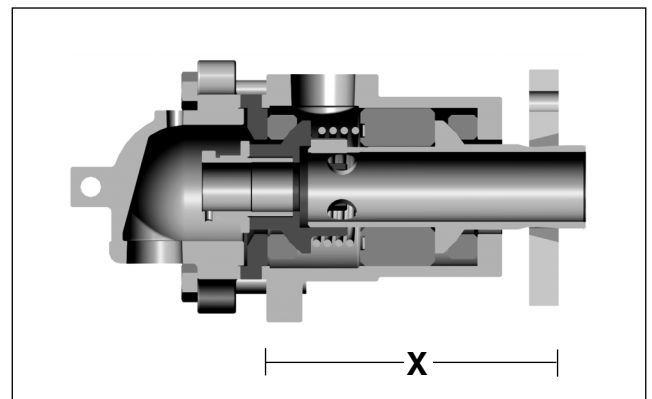
For types S, SN, ELS, and ELSN Kadant Johnson rotary joints – measure (X) a new or rebuilt rotary joint from the journal adapter flange face out to the first gasket surface on the joint housing. To this figure add the seal wear dimensions from Table 1 to obtain allowable wear. During future shutdown periods, measure this distance. When it approaches the allowable wear you should schedule carbon seal replacement.

**TABLE 1**

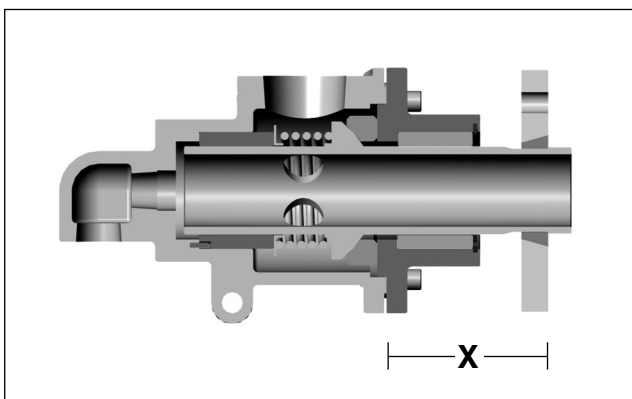
Joint Size	Seal Wear
3/4"	.6,5mm
1"	.9,0mm
1-1/4"	.10,2mm
1-1/2"	.8,0mm
2"	.9,0mm
2-1/2"	.10,2mm
3"	.11,1mm
3-1/2"	.11,1mm
4"	.14,3mm
5"	.14,3mm
6"	.11,1mm
7-1/2"	.17,4mm
8"	.20,4mm



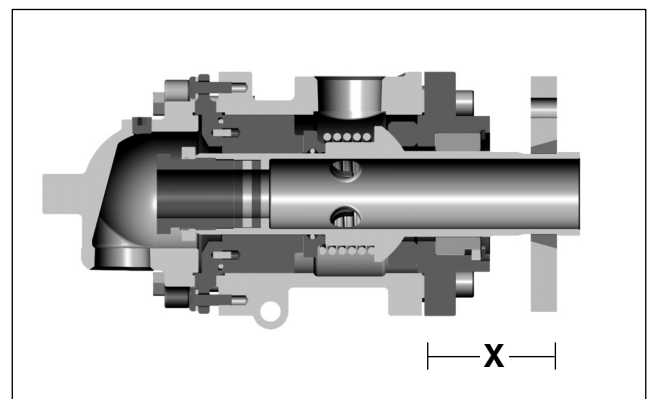
**TYPE S**



**TYPE SN**



**TYPE ELS**



**TYPE ELSN**

Measure (X) and add seal wear.

Example: On a 3" ELSN, (X) = 123mm + Seal Ring Wear

**The Kadant Johnson Warranty**

Kadant Johnson products are built to a high standard of quality. Performance is what you desire: that is what we provide. Kadant Johnson products are warranted against defects in materials and workmanship for a period of one year after date of shipment. It is expressly understood and agreed that the limit of Kadant Johnson's liability shall, at Kadant Johnson's sole option, be the repair or resupply of a like quantity of non-defective product.

