

Installation Instructions for the Rotary Scoop Syphon

Follow your company's safety procedures whenever working on Kadant Johnson products. Read all of the instructions before proceeding with installation or repair.

Please refer to the Kadant Johnson assembly drawing for part identification. Assembly drawings are available on request from Kadant Johnson.

The rotary scoop syphon is adjustable for internal dryer diameters that may vary up to two inches. The flanged outlet connection (17) must be centered in the dryer. NOTE: Clamp (13) is shipped loose. It must be tightened after the syphon is installed.

STEP 1

Set up the syphon by measuring the dryer internal diameter. Divide that number by two.

STEP 2

The distance from the center of the flanged outlet connection (17) to the bottom of the pick-up fitting (2) should equal the dimension arrived at in Step 1.

STEP 3

If adjustment is necessary, loosen the jam nut (3A) and clamp (10). Turn jam nut, either up or down the vertical leg (4), until the dimension from the bottom of the pick-up fitting (2) to center of the flanged outlet connection (17) matches the dimension from Step 1. If further adjustment is required, loosen jam nut (3B) and adjust the vertical leg (4) as required. After the syphon is set up, tighten jam nuts (3A & 3B) and clamp (10).

STEP 4

Position the syphon inside the dryer with the pick-up fitting (2) at the bottom or opposite the manhole and the flanged elbow connection (17) pointed towards the journal condensate outlet. The pick-up fitting must be pointed with rotation of the dryer. See Figure 1. To change pick-up fitting (2) direction, loosen clamp (10) and rotate pick-up fitting 180° and tighten clamp.

STEP 5

Attach the horizontal pipe to the flanged outlet connection (17) using the gasket and four bolts. Move the syphon/horizontal pipe assembly until the horizontal pipe protrudes out of the journal enough to accommodate joint installation. See "H" dimension on joint drawing for proper dimension.

STEP 6

Align the four tips on the counter weight (6) so they contact the dryer shell in all four locations. Tighten nut (9) until it stops against the weld bead. Tighten jam nut (8) next to nut (9) and tighten.

STEP 7

Check spring (7) compression. The compressed spring length is 6". Adjust spring length by loosening the jam nut (11) and turning vertical spring leg (5) until correct spring length is achieved. Tighten jam nut (11).

STEP 8

Tighten clamp (13). Confirm that the syphon is centered in the dryer shell. The installation is complete.

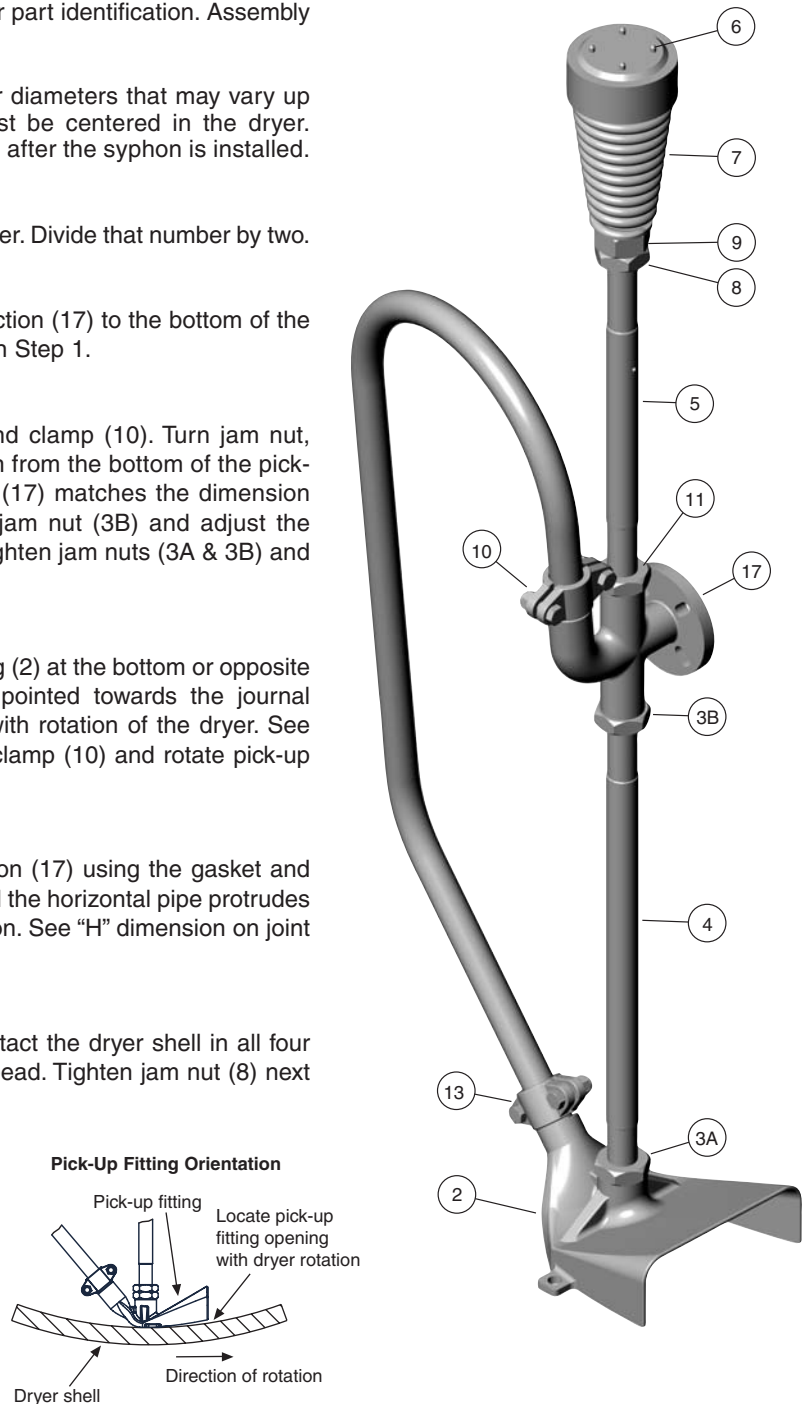


Figure 1.

The Kadant Johnson Warranty

Kadant Johnson products are built to a high standard of quality. Performance is what you desire: that is what we provide. Kadant Johnson products are warranted against defects in materials and workmanship for a period of one year after date of shipment. It is expressly understood and agreed that the limit of Kadant Johnson's liability shall, at Kadant Johnson's sole option, be the repair or resupply of a like quantity of non-defective product.

Installation Instructions for the Rotary Scoop Syphon

Follow your company's safety procedures whenever working on Kadant Johnson products. Read all of the instructions before proceeding with installation or repair.

Please refer to the Kadant Johnson assembly drawing for part identification. Assembly drawings are available on request from Kadant Johnson.

The rotary scoop syphon is adjustable for internal dryer diameters that may vary up to two inches. The flanged outlet connection (17) must be centered in the dryer. NOTE: Clamp (13) is shipped loose. It must be tightened after the syphon is installed.

STEP 1

Set up the syphon by measuring the dryer internal diameter. Divide that number by two.

STEP 2

The distance from the center of the flanged outlet connection (17) to the bottom of the pick-up fitting (2) should equal the dimension arrived at in Step 1.

STEP 3

If adjustment is necessary, loosen the jam nut (3A) and clamp (10). Turn jam nut, either up or down the vertical leg (4), until the dimension from the bottom of the pick-up fitting (2) to center of the flanged outlet connection (17) matches the dimension from Step 1. If further adjustment is required, loosen jam nut (3B) and adjust the vertical leg (4) as required. After the syphon is set up, tighten jam nuts (3A & 3B) and clamp (10).

STEP 4

Position the syphon inside the dryer with the pick-up fitting (2) at the bottom or opposite the manhole and the flanged elbow connection (17) pointed towards the journal condensate outlet. The pick-up fitting must be pointed with rotation of the dryer. See Figure 1. To change pick-up fitting (2) direction, loosen clamp (10) and rotate pick-up fitting 180° and tighten clamp.

STEP 5

Attach the horizontal pipe to the flanged outlet connection (17) using the gasket and four bolts. Move the syphon/horizontal pipe assembly until the horizontal pipe protrudes out of the journal enough to accommodate joint installation. See "H" dimension on joint drawing for proper dimension.

STEP 6

Align the four tips on the counter weight (6) so they contact the dryer shell in all four locations. Tighten nut (9) until it stops against the weld bead. Tighten jam nut (8) next to nut (9) and tighten.

STEP 7

Check spring (7) compression. The compressed spring length is 6". Adjust spring length by loosening the jam nut (11) and turning vertical spring leg (5) until correct spring length is achieved. Tighten jam nut (11).

STEP 8

Tighten clamp (13). Confirm that the syphon is centered in the dryer shell. The installation is complete.

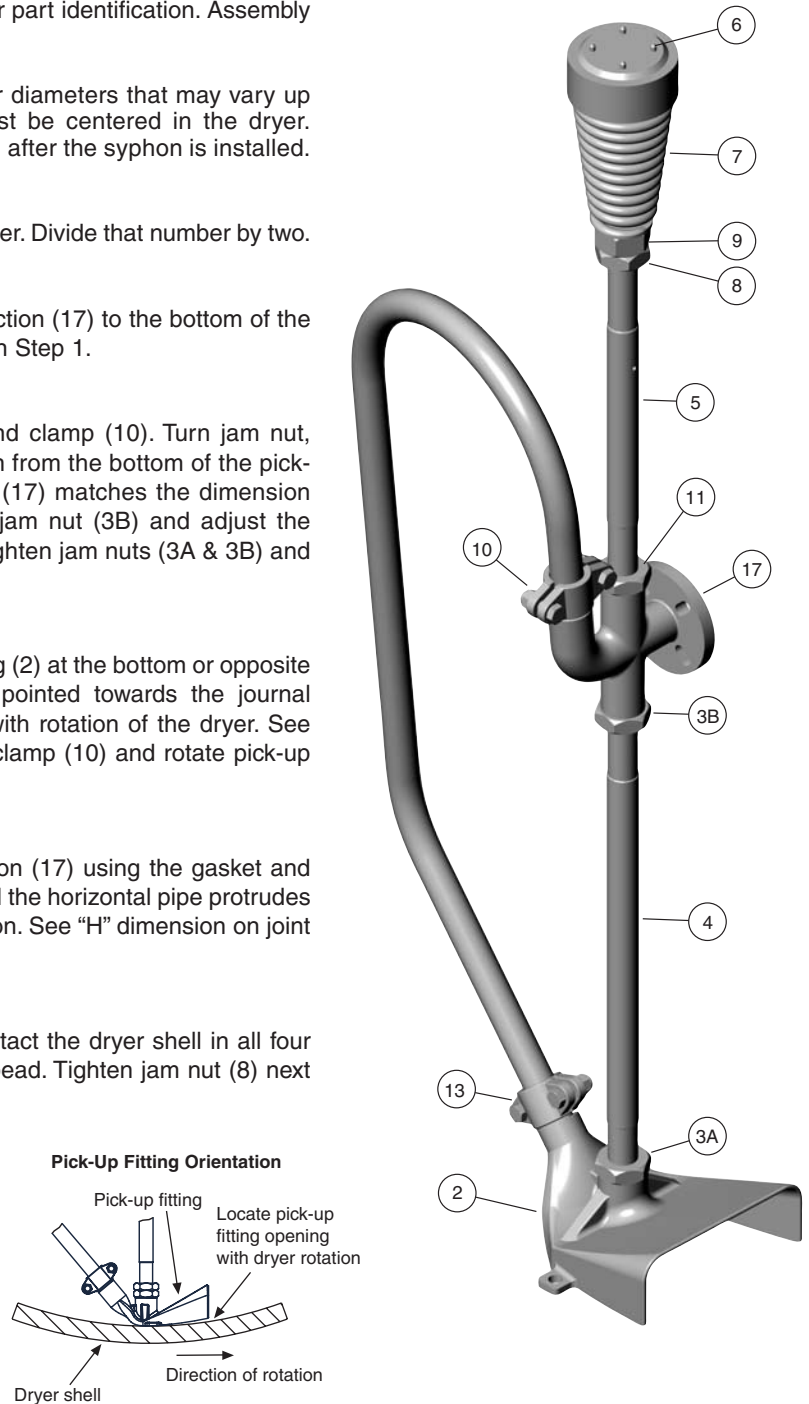


Figure 1.

The Kadant Johnson Warranty

Kadant Johnson products are built to a high standard of quality. Performance is what you desire: that is what we provide. Kadant Johnson products are warranted against defects in materials and workmanship for a period of one year after date of shipment. It is expressly understood and agreed that the limit of Kadant Johnson's liability shall, at Kadant Johnson's sole option, be the repair or resupply of a like quantity of non-defective product.

KADANT
 AN ACCENT ON INNOVATION
www.kadant.com