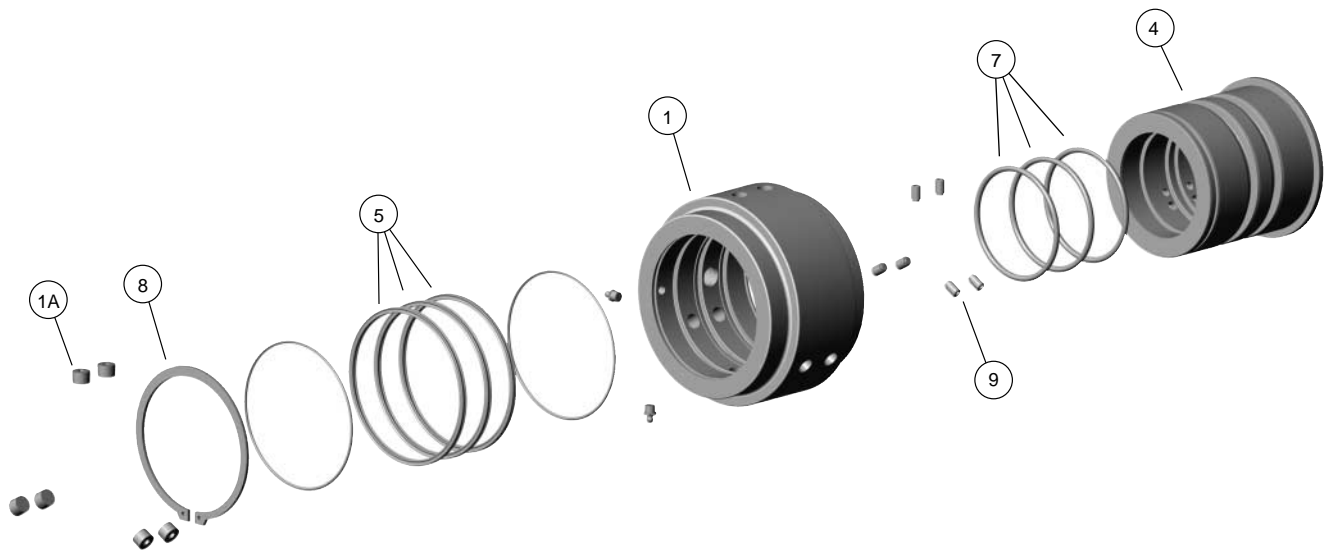


Installation Instructions for Type Over-The-Shaft (OTS) Joints



NOTE: Please follow your company's safety procedures whenever working on Kadant Johnson rotary joints and read all of the instructions completely before proceeding.

Please refer to the assembly drawings supplied with your Kadant Johnson rotary joint for part identification. If you have any questions, please contact your Representative or Kadant Johnson Inc.

STEP 1.

Clean the roll journal from the end up to and including the surface where the joint will be positioned. This location is where the o-ring seals once the joint is installed. Take care to remove any burrs on the journal.

STEP 2.

Coat o-rings (7) and the shaft O.D. where the o-rings will seal with the silicone lubricant supplied by Kadant Johnson. Remove the pipe plugs (1A) to expose the six nipple set screws (9).

STEP 3.

Install the joint onto the journal carefully and straight so as not to damage the o-rings. The joint should be installed with the retaining ring (8) away from the roll, but this is not required for normal operation. Align the torque restraint on the bearing housing with the groove on the O.D. of body and engage the joint fully.

STEP 4.

Make sure none of the set screws (9) are located over a port in the shaft and tighten in a manner that will center the joint.

STEP 5.

Apply sealant to the six pipe plugs (1A) and insert into body (1).

STEP 6.

Connect flexible piping in a relaxed position (not stretched or compressed).

STEP 7.

NOTE: Under no circumstances should nipple (4) be removed from body (1) as it may damage the Quad Seals* (5) during reinstallation.

Repair kits are available for these joints through your local Kadant Johnson representative or the factory.

*Registered trademark of Minnesota Rubber Co.

Dimensions and specifications are for reference only and subject to change. Certified drawings are available on request. Please refer to Kadant Johnson Drawing Number A37640 for torque specifications.

The Kadant Johnson Warranty

Kadant Johnson products are built to a high standard of quality. Performance is what you desire: that is what we provide. Kadant Johnson products are warranted against defects in materials and workmanship for a period of one year after date of shipment. It is expressly understood and agreed that the limit of Kadant Johnson's liability shall, at Kadant Johnson's sole option, be the repair or resupply of a like quantity of non-defective product.

KADANT
JOHNSON

www.kadantjohnson.com