

Rotary Joint Overview

Applications

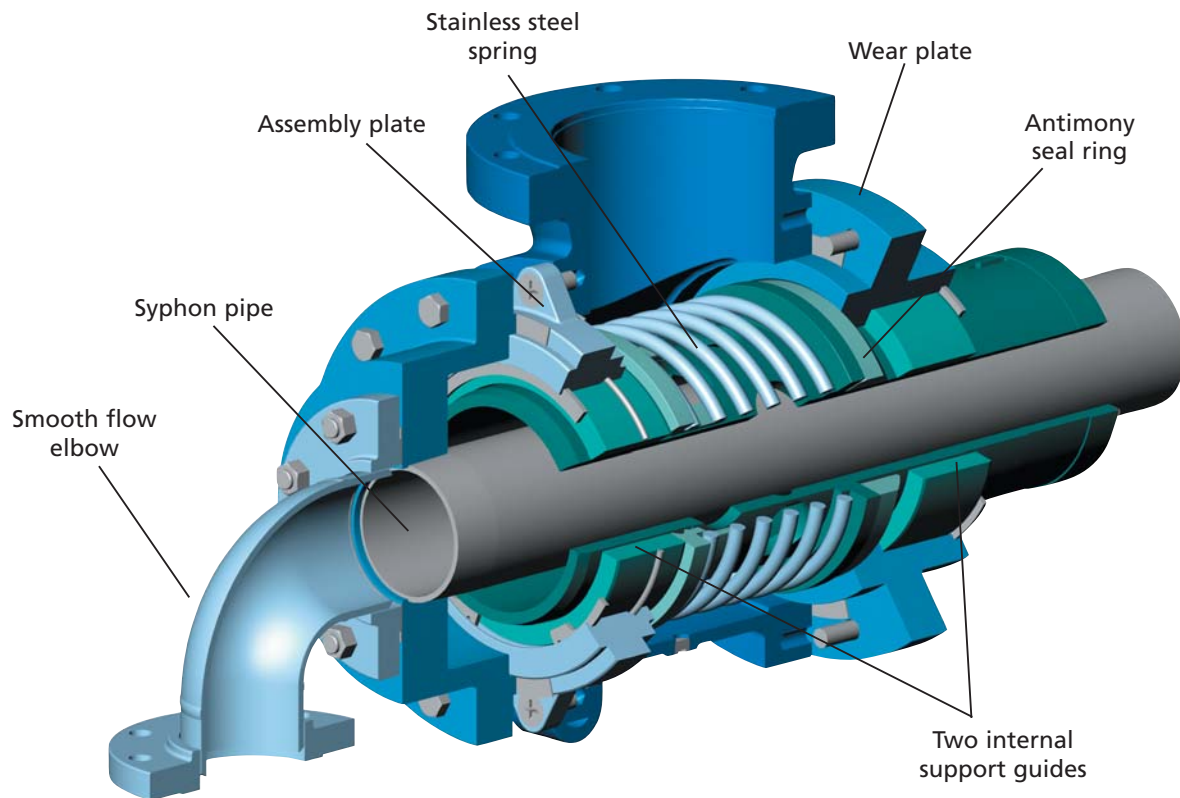
The ELS (Extended Life Seal) rotary joint is designed for steam and thermal oil service. It is available with a rotating or stationary syphon pipe and in single- or dual-flow configurations. The ELS rotary joint features two widely-spaced carbon support guides. It provides greater reliability, handles misalignment, and reduces downtime.

Features

- ▶ Two internal support guides
- ▶ Large flow capacity (up to 12")
- ▶ Designed for steam and thermal oil
- ▶ Maximum carbon guide separation

Benefits

- ▶ Increased reliability and performance
- ▶ Longer operating life, reduced maintenance
- ▶ Application flexibility, simplified inventory
- ▶ Improved syphon support, extended operating life

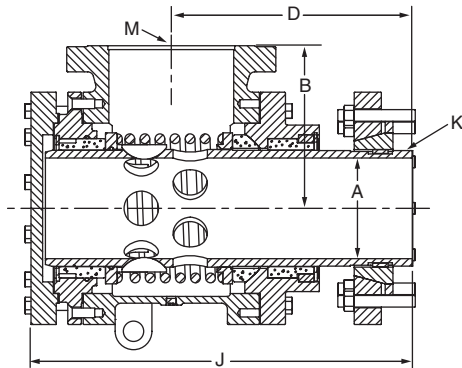


Ratings

Maximum Pressure:	435 psig (30 bar)
Maximum Temperature:	500°F (260°C)
Maximum Speed:	30 RPM

LARGE ELS ROTARY JOINTS

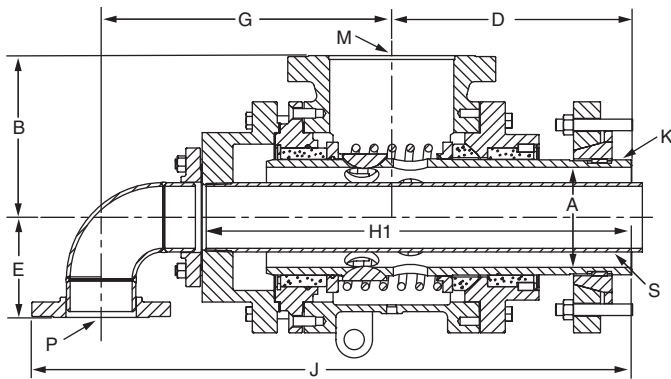
Single-flow



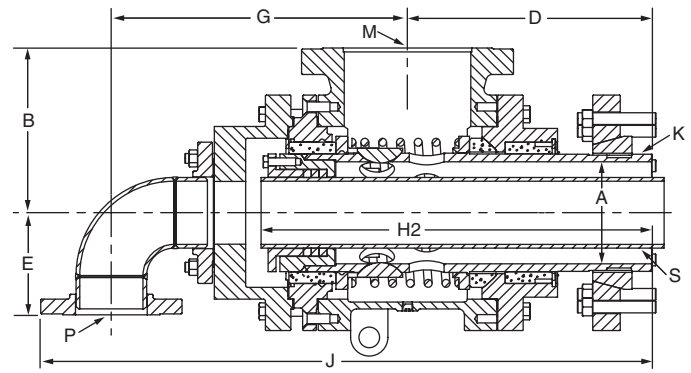
Other features and products

- ▶ Custom designed rotary joints
- ▶ Sizing assistance
- ▶ Flexible hose
- ▶ Sight flow indicators
- ▶ Repair kits and service
- ▶ Mounting flanges

Dual-flow



Rotary joint with stationary syphon pipe



Rotary joint with rotating syphon pipe

Size (K)	Flow	M	P	S	A	B	D	E	G	H1*	H2	J
6 1/2"	Single	8"	-	-	6.5"	10.5"	15.56"	-	-	-	-	24.6"
					165	267	395	-	-	-	625	
	Dual	8"	4"	3"-4"	6.5"	10.5"	15.56"	6.5"	18.88"	26.87"	25.19"	38.94"
					165	267	395	165	480	682	640	989
8"	Single	8"	-	-	8.75"	13.25"	18.01"	-	-	-	-	29.87"
					222	337	457	-	-	-	759	
	Dual	8"	6"	5"	8.75"	13.25"	18.01"	10.0"	21.93"	-	27.16"	46.18"
					222	337	457	254	557	-	690	1,173
10"	Single	8"	-	-	9.75"	14.5"	21.25"	-	-	-	-	36.65"
					248	368	540	-	-	-	931	
	Dual	8"	6"	5"	9.75"	14.5"	21.25"	8.0"	23.44"	35.77"	33.18"	50.19"
					248	368	540	203	595	908	843	1,275
12"	Single	10"	-	-	11.5"	15.3"	23.9"	-	-	-	-	39.17"
					292	389	607	-	-	-	995	
	Dual	10"	8"	7"	11.5"	15.3"	23.9"	10.5"	25.4"	35.8"	36.3"	56.8"
					292	389	607	267	645	908	922	1,443

*H1 = 27.6" (700 mm) for 4" syphon pipe.

KADANT
AN ACCENT ON INNOVATION

Kadant is a leading global supplier of products and services that improve productivity and quality in paper production and other process industries. For the nearest location and contact, visit our Website.

www.kadant.com

Contact us:

KADANT JOHNSON INC.
805 Wood Street
Three Rivers, MI 49093 USA

Tel: +1-269-278-1715
Fax: +1-269-279-5980
Email: info@kadant.com