

## Syphon Elbow

### Applications

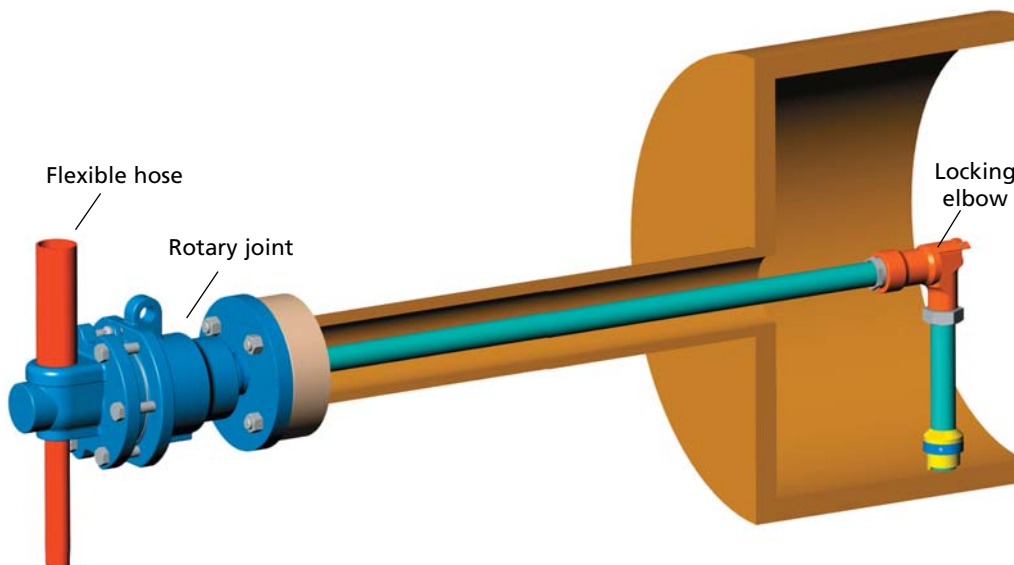
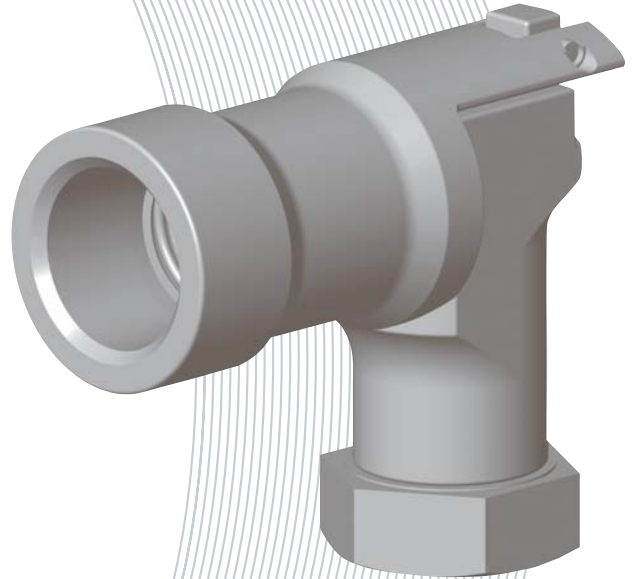
The 90 degree Locking Elbow is the first syphon elbow designed for high speed, small roll diameter applications. The stainless steel horizontal leg is secured to the vertical leg using a proprietary locking mechanism. As an integral component of the steam joint, the Locking Elbow is a maintenance-free, reliable syphon elbow.

### Features

- ▶ Locking mechanism utilizes a patented design
- ▶ Pin loading is eliminated
- ▶ Stainless steel construction
- ▶ Simple installation tool

### Benefits

- ▶ Optional Teflon pick-up shoe enhances condensate removal
- ▶ Straight thread allows for syphon clearance adjustment
- ▶ Corrosion resistant materials
- ▶ Easy installation and removal



Symbol No.	Vertical Leg	Horizontal Leg
SJ-A-837-1	3/4" NPT	3/4" NPT
SJ-A-837-3	3/4" BSPT	3/4" BSPT
SJ-A-937-1	3/4" NPT	1" NPT
SJ-A-937-3	3/4" BSPT	1" BSPT

Kadant is a leading global supplier of products and services that improve productivity and quality in paper production and other process industries. For the nearest location and contact, visit our Website.

[www.kadant.com](http://www.kadant.com)

### Contact us:

KADANT JOHNSON  
805 Wood Street  
Three Rivers, MI 49093 USA

Tel: +1-269-278-1715

Fax: +1-269-279-5980

Email: [info@kadant.com](mailto:info@kadant.com)